

# MCRN2-1230 RFID/NFC Card Reader Module

MCRN2 R 1.1  
Apr. 6, 2020

## Key Features

<b>Frequency</b>	13.56 MHz
<b>Interface</b>	RS232
<b>Standards</b>	ISO14443A/B, ISO15693
<b>Supported Cards &amp; Transponders</b>	MIFARE® Family NTAG I-Code NFC Smartphones
<b>Antenna</b>	Internal
<b>Housing</b>	Waterproof IP67
<b>Power supply</b>	+8V to +28V DC +12V nominal



## 1 DESCRIPTION

The MCRN2 is an advanced RFID-Reader supporting multiple ISO standards. The design and interface possibilities could be individually customized and adjusted to the needs in the application.

## 2 ELECTRICAL

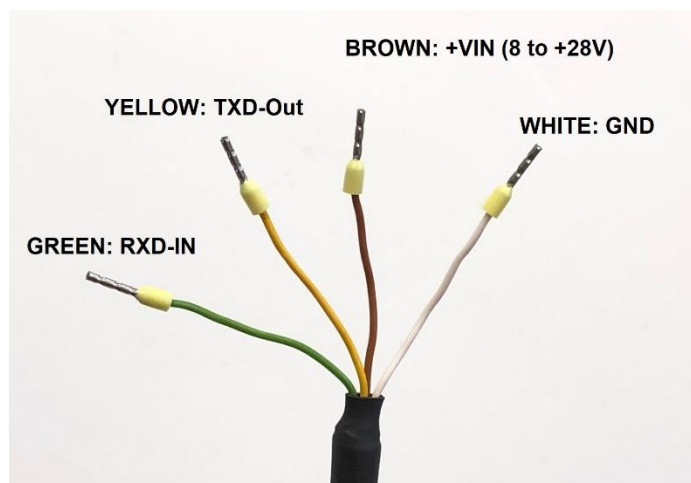
SYMBOL	PARAMETER	MIN	TYP	MAX	UNIT
VIN	Input Voltage	+8	-	+28	V
IIN	Input Current (VIN=+12V)	-	50	200	mA
VR	Maximum Reverse Voltage	-	+60	-	V
TA	Ambient Temperature Range	-30	-	+85	°C
VTVS	TVS Clamping Voltage	-	38.9	-	V
IPEAK	TVS Peak Pulse Current	-	10.3	-	A
PDISS	TVS Power Dissipation	-	-	400	W
RS232 Receiver	Input Voltages	-30	-	+30	V
RS232 Transmitter	Output Voltages	±5	±5.2	-	V
<b>ESD Performance</b>					
RS232		IEC 61000-4-2 (ESD) ±15kV (air), ±8kV (contact)			
MTBF		500.000h			

## 3 PROTECTIVE FEATURES

- Reverse polarity protection
- Overvoltage transient protection
- Thermal shutdown
- Current limiting
- ESD protection
- Short circuit protection

## 4 CABLE PINOUT

Cable Pin	RS232 Pinout
White	GND - Ground
Green	RX Data Input
Yellow	TX Data Output
Brown	+VIN (+8 to +28 VDC)



Wall mounting by opening the blind lids.  
Cable length: 10m

